

ATLAS ARCHERY TARGET

ASSEMBLY GUIDE



<input type="checkbox"/>	1280-1 FITA (Olympic)
<input type="checkbox"/>	1280-1 FITA (Flat-Pack)
<input type="checkbox"/>	1280-1 FITA
<input type="checkbox"/>	1280-1 Field
<input type="checkbox"/>	950-1 FITA
<input type="checkbox"/>	950-1 Field



A SUPERB RANGE OF PROFESSIONAL & CLUB TARGETS

DESIGNED BY ARCHERS... FOR ARCHERS

Optional Extras

Target Tech Backstop

Helps to maximise the stopping power in wet weather. Suitable for the Atlas and Eros range of targets.

Target Tech Speed Tool

Dramatically aids the foam compression process and tightening of the T-handles. Suitable for the Atlas and Eros range of targets.



For further information on our full product range or for any specific enquiries please contact us and we will be happy to help.

UK sales representative

Brett Walker

E Brett@atlastarget.com

T +44 (0)7792 384 534



Atlas Target Assembly

Atlas target parts list

Woodwork

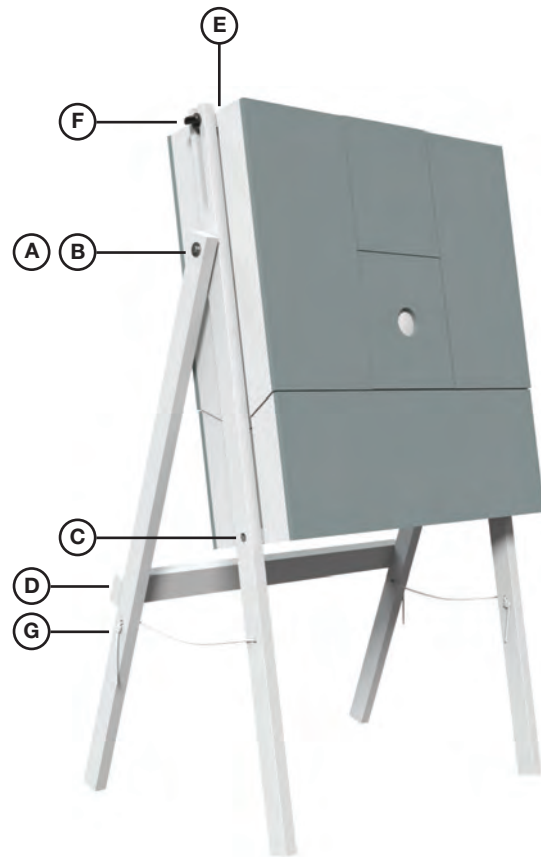
- x2 Front Legs
- x2 Rear legs
- x1 Top strut
- x1 Bottom strut
- x1 Rear brace

Fasteners

- x4 M8 Wedge nut
- x2 T-handle (s/s threads)
- x4 M8 Washer
- x4 M8 Pronged nut
- x2 M8 Countersunk bolt
- x2 M8 Bolts
- x4 Woodscrew

Tools required (not included)

- 13mm spanner
- Pozi #2 screwdriver
- 5/6mm hex key
- Hammer

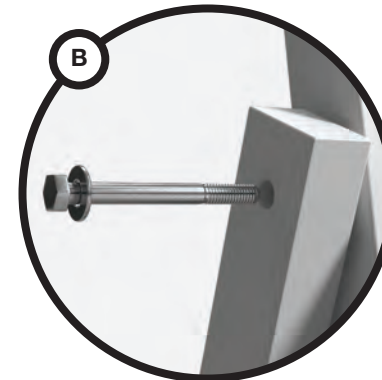
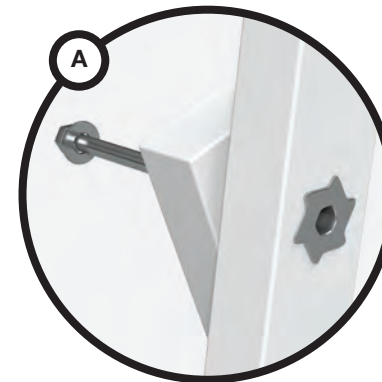


Assembly of the main legs

- 1 Ensure the M8 pronged nut is in position prior to assembly (a hammer is required to fit this). Check the nut is inserted and fixed fully so that it is flush with the surface of the wood (**see fig. A**).
- 2 Insert a 75mm M8 bolt and M8 washer from the outer of the rear of the leg through to the front leg (**see fig. B**).
- 3 Tighten using a 13mm spanner until the legs are secure and resist movement.
- 4 Repeat the above to the other set of front and rear legs.

Assembly of the bottom strut

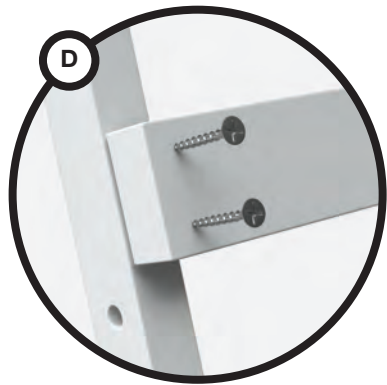
- 1 Insert the M8 wedge nuts. Ensure the front legs are to the inner of the A-frame (**see fig. C**).
- 2 Using a 5/6mm hex key, fix the bottom strut to one side of the frame with the 85mm countersunk bolts. (Before tightening, ensure the routed slot faces downwards to avoid rain gathering in the routed channel) (**see fig. C**).
- 3 Repeat step 2 to secure the bottom strut.
- 4 Tighten until the countersunk bolt head is flush to the wood surface.



This product has been packed and quality checked by:

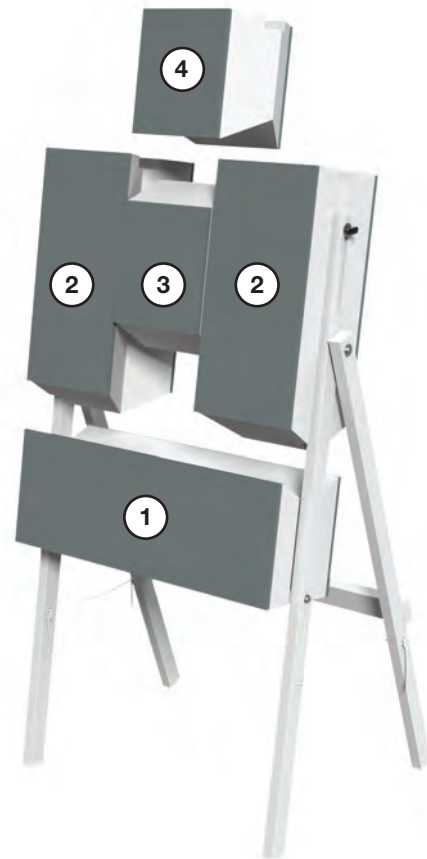
Assembly of the rear brace

- 1 Use the pilot holes to position the screws before moving the brace into position.
- 2 Position the brace approx. 500mm horizontally from the floor.
- 3 Ensure the outer edges of the brace are perfectly flush with the outer edge of the rear legs.
- 4 Using a Pozi #2 screwdriver, tighten all four screws until the A-frame becomes rigid (**see fig. D**).



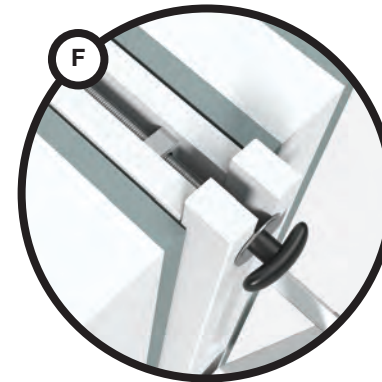
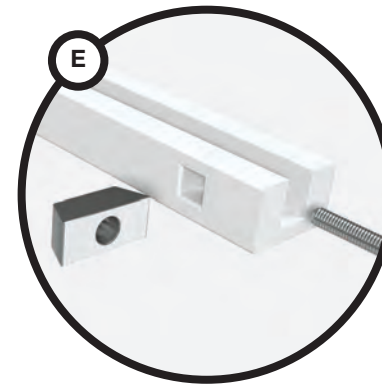
Inserting the foam panels

- 1 The foam panels must be inserted down from the top of the frame in the correct numerical order as shown below. Ensure block 1 sits completely over/around the bottom strut.
- 2 The foam panels should form a solid face.



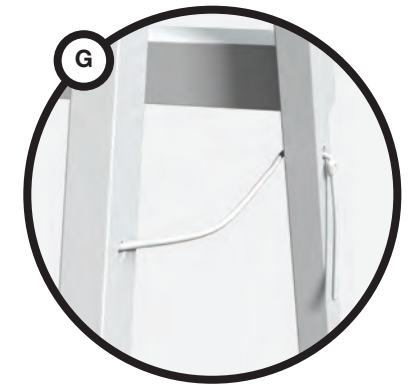
Assembly of the top strut

- 1 Insert the M8 wedge nuts into the square holes (**see fig. E**).
- 2 Position the T-handle (and washer) s/s thread into the M8 wedge nut, now captive within the wooden channel.
- 3 Lower the top strut into the frame & foam channels, whilst aligning the foam panels to achieve a smooth face.
- 4 Ensure the M8 washer is between the T-handle and the front legs
- 5 Tighten the T-handles just past finger tight to apply pressure on the foam panels (**see fig. F**).



Attaching the rope restraints

- 1 Tie a knot in one end of the rope.
- 2 Thread the rope through the hole of a front leg from the inside (**see fig. G**).
- 3 Thread the rope back through the inside of the back leg (this will reduce the risk of the rope becoming tangled during storage).
- 4 Tie a second knot to fix the rope and frame into the finished position (**see fig G**). Repeat this procedure on the other legs.



A complete range of spares are available for the Atlas target. Please contact us for further information.

Product	Size
Atlas Target – Sphere	(same for all target sizes)
Atlas Target – Centre Module Standard	(same for all target sizes)
Atlas Target – Centre Module Olympic (yellow & red centre)	(same for all target sizes)
Atlas Target – Centre Module Blank (No Sphere Recess)	
Atlas Target – Spare Foam	(Please Specify)
Atlas Target – Spare Stand	(Please Specify Size / Type)

Accessories

Backstop (Black/White)	950x950x70mm
Backstop (Black/White)	650x500x70mm
T-Handle drill tool	



Recommended usage

The Target Tech Atlas Target is suitable for all bow types, including high powered compound bows. The target has been specifically designed for high level club and international competition use. The Atlas target is the approved target for the London 2012 Olympic Games.

Operating temperature

The recommended usage temperature is +10°C – +60°C. At cooler temperatures some compound bow archers may experience slight sphere stickage to the arrows. We recommend the use of silicone arrow lube, for compound bows, in temperatures of < 10°.

Safety

Always ensure the target is assembled correctly and is rigid so not to fall over when in use. Target Tech cannot accept responsibility for any target that falls over during use.

Visually check the target before each use for any defaults in the materials.

This target uses flammable materials. Never use near a naked flame.

Do not burn to dispose of used foam panels. All targets can be fully recycled through Target Tech Ltd. Please contact us for further details.